

Mackworth

CP440 Portable Track Hoist

The CP440 hoist is a lifting aid used by health care professionals to transfer clients. The hoist makes it possible to move mobility impaired individuals with minimal strain or risk to the caregiver, while providing complete safety, dignity and comfort for the client.

The CP440 hoist should be used in conjunction with a suitable track system, such as a Prism Portable Gantry System or fixed ceiling track and a moving and handling sling.

The sling should be selected to suit the application and client requirements. It attaches to the hoist by means of the carry bar by its straps to hold the individual while the lift, or transfer takes place.



Features

- Compact lightweight aluminium chassis, total unit weight 9.9lb without a carry bar.
- Up, down and emergency lowering controls on both hand controller and unit
- Power switch on rear of unit
- Auto power off after approximately 30 seconds of non- use to save battery
- 50-60 lifts per charge
- Integrated wall dock and charger
- QRS reacher
- QRS carry bar
- Led indicators for:
 - Battery and error status
 - Sleep mode
 - Emergency lower
 - Temperature warnings
 - Lifted weight is over capacity
 - Slack tape error
 - Charger fault

Benefits

- Portable
- Can be fitted, and moved between any suitable ceiling track or overhead gantry with a compatible trolley set
- Capable of transferring patient of up to 440lb
- Unobtrusive, doesn't take up floor space or cause trip hazards
- Move patients with minimal effort whilst maintaining their comfort and dignity
- Can be fitted and removed using QRS reacher

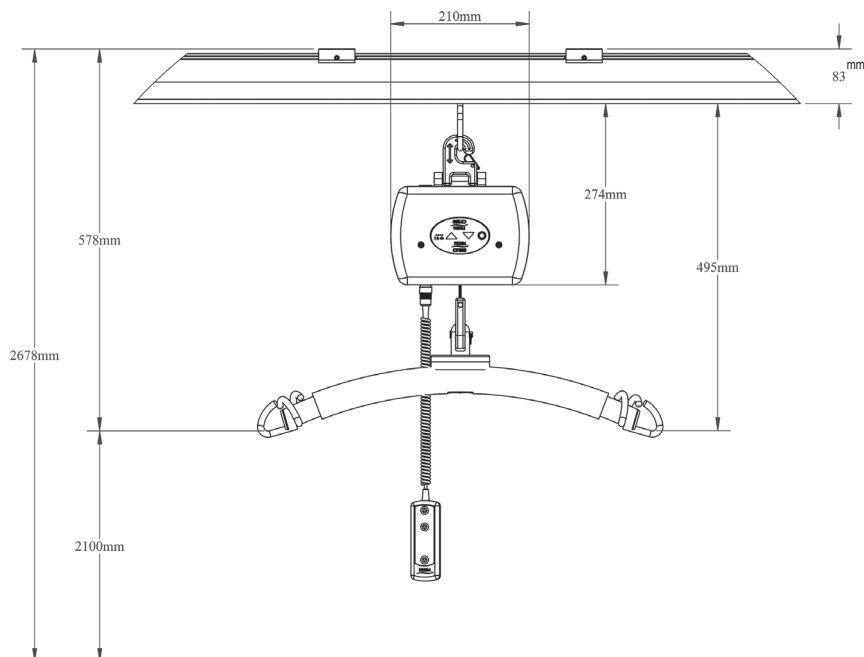
Mackworth

CP440 Portable Track Hoist

Technical specifications

Max Safe Working Load	440lb
Hoist Case	Non Flammable ABS Plastic
Length	208mm
Width	177mm
Height	149mm
Weight	9.9lb (Hoist only)
Rail Transfer	Manual
Hosting Range	Up to 2100mm
Lifting Speed (unloaded)	35mm/s
Lifting Speed (100 kg loaded)	25mm/s
Charger Input	100- 240V
Charger Output	24V - 1.33 amps
Emergency Stop	Electric
Hand Control	Electric 3 (Button)
Batteries	2 x 12V - 3.3Ah Nimh
In Track Charging	Not Available
Removable from Track	Yes
Duty Cycle	15% use, 85% rest

Hoist Dimensions and Lifting range



If you require additional information, please call
44 (0) 1656 721 818

